

Part No. (ENG SKU)	OD9225-SPOT
Fan ID	OD9225-12HB-03
VOLTAGE INPUT	120VAC / 60Hz (with provided adaptor)
INPUT POWER	19.0 Watts
DC Nominal Current	0.25 A
DC Locked Current	0.31 A
Rated Speed (RPM)	3100 Max. (34C)
Airflow (CFM)/Temp	50 / 34C Max.
Noise Level (dB)	35 Max.
Max. Static Pressure	0.24" H ₂ O
Frame & Impeller	PBT, UL94V-O plastic
Connection	[see installation instructions, item 4.]
Motor	Brushless DC, auto restart, impedance, polarity protected. Thermal Control.
Bearing System	Dual ball bearing
Insulation Resistance	10M ohm between leadwire and frame (500VDC)
Dielectric Strength	500VAC/sec.. Max leakage 500 microAmp
Operation Temperature	-20C ~ +65C
Life (L10)	60,000 hours

General Notes:

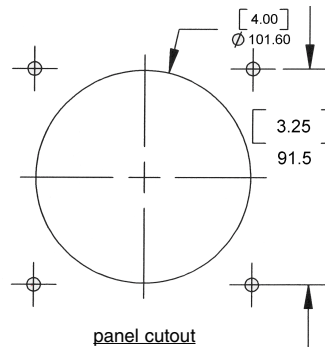
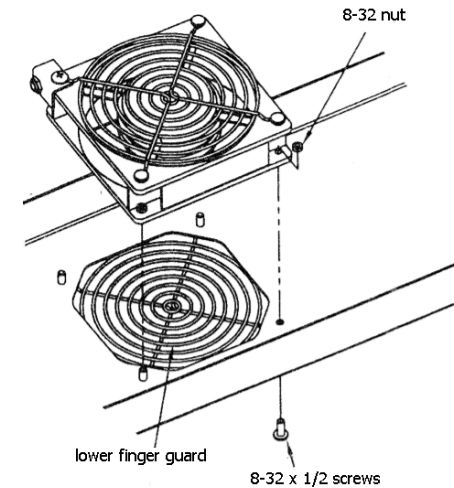
- A. Always ensure power is disconnected before working on or installing this component
- B. Maker assumes no responsibility for suitability of purpose in any installation
- C. Do not wear loose clothing or accessories that may become entangled in moving parts while assembling or operating this component.

Installation Instructions:

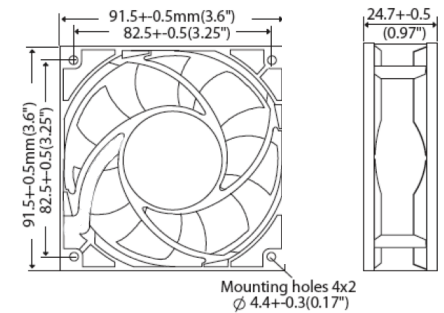
Tools and parts required (Not supplied with this unit):
 (4x) 8-32 x 1/2" screws
 (4x) 8-32 nut
 (1) G92-16 (or equivalent) 92mm finger guard

1. Cut an opening in the enclosure wall as shown in the diagram [below]
2. Place fan [right] so that the 8-32x 1/2" screws pass through the outer grill and the fan flange.
3. Place the 8-32 nut in place as shown and tighten
4. Plug 12V adaptor provided into the receptacle on the fan and into an appropriate 120V power source.

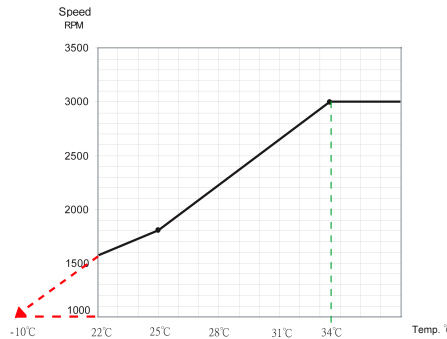
The fan will operate at low to medium speed and will increase speed as more cooling is necessary in the application.




panel cutout



frame dimensions only:
 adapter, cord, connector
 and receptacle not shown



Description	NOTES:
Thermistor: 50CFM at 34C+	Unit Includes: 6 foot cord with fan connector
Contact: 214-340-0265 (Tel) 214-340-5870 (Fax)	

Rating information is +/-10%
 Data and specifications are subject to change
 without prior notification